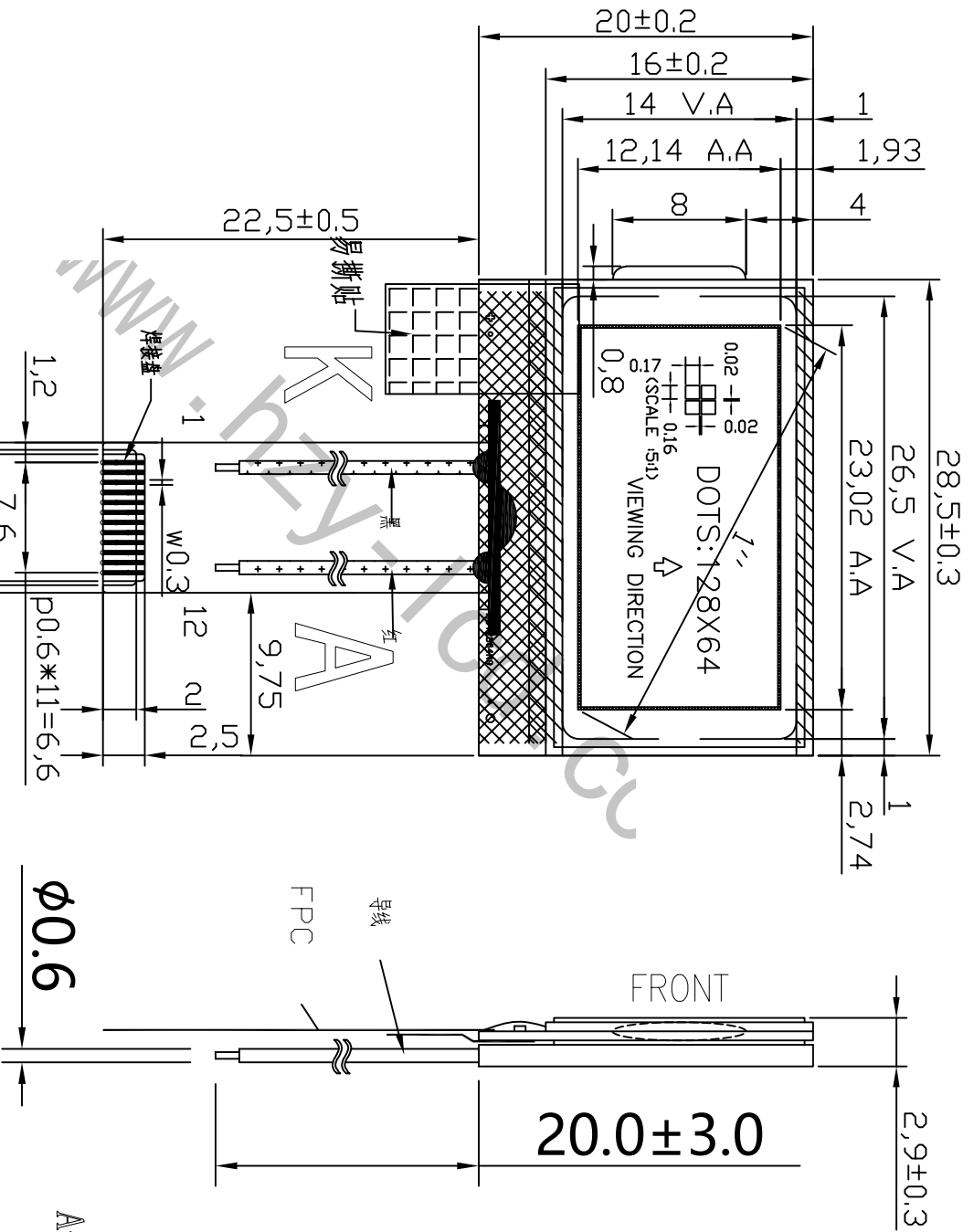
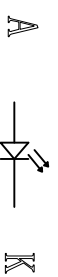


REV	DATE	CONTENT
00	20210729	NEW



1	VG
2	NC
3	NC
4	XV0
5	V0
6	VSS
7	VDD
8	SDA
9	CLK
10	A0
11	RST
12	CS0

电路图CIRCUIT DIAGRAM  
(LED SMD 1 X 1 = 1 dies)



A-K=3.0±0.2V, IF=15mA, White

Φ0.6

The non-specified tolerance of dimension is±0.2mm.

SPECIFICATIONS

DISPLAY DRIVE VIEWING OPERATING STORAGE OPERATING FRAME FRONT BACK CUSTOMER CONNECTORS :	MODE : CONDITION : DIRECTION : TEMP : TEMP : VOLTAGE : FREQUENCY : POLARIZER : POLARIZER : NO.:	DFSTN,NEGATIVE 1/65 DUTY 1/9 BIAS 6 0'CLOCK -20°C TO +70°C -30°C TO +80°C vop=8.5 V, vdd=3.3V 64 Hz(TYPE) TRANSMISSIVE,ADHESIVE TRANSMISSIVE,ADHESIVE COG/FPC(IC:7567 OR EQU)
有害物质管理:	符合	RoHS要求

SCALE:	1/1	UNIT:	mm
REV:	V0	PAGE:	1/1
DRAW	XH	MODEL	LCM DRAWING
CHECK		TITLE	LCM DRAWING
APPROVE		DWG NO.	H012864R9-WDH010-01